

PL100
15 WAY R-ANGLE DRANGE PLUG

- THOLE HOLE
- TSLOT SLOT
- BHOLE HOLE
- BSLOT SLOT
- TOPFIDA FIDUCIAL
- TOPFIDB FIDUCIAL
- BOTFIDA FIDUCIAL
- BOTFIDB FIDUCIAL

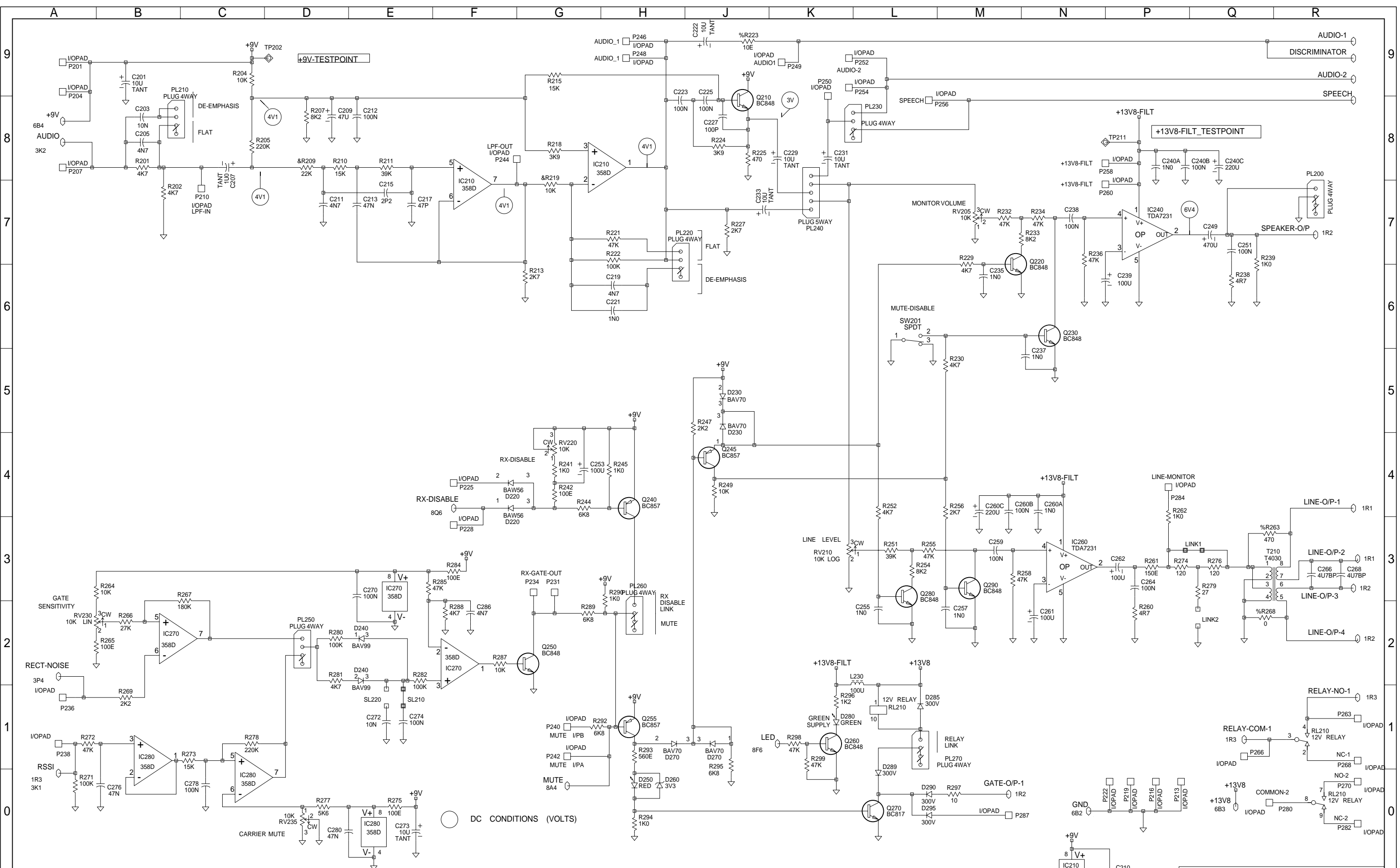
03A	UPDATED	MAJ						
02B	UPDATED	MAJ	AG	DE	RC		23-08-99	
01A	UPDATED	MAJ					11-08-98	
0A	ORIGINAL	MAJ					22-12-97	
REV/ISS	AMENDMENTS	DRAWN	CHKD	D.O.	APVD	DATE		

DGND & GND ARE CONNECTED THROUGH R617 ON SHEET 6

© TAIT ELECTRONICS
T825 RECEIVER

IPN: 220-01446-03
ISSUE: 3A
ID: 2.SC. 1

PROJECT: T825RX
DESIGNER: MAJ
FILE NAME: 144603a
FILE DATE: 9-Feb-00
NO. SHEETS: 9



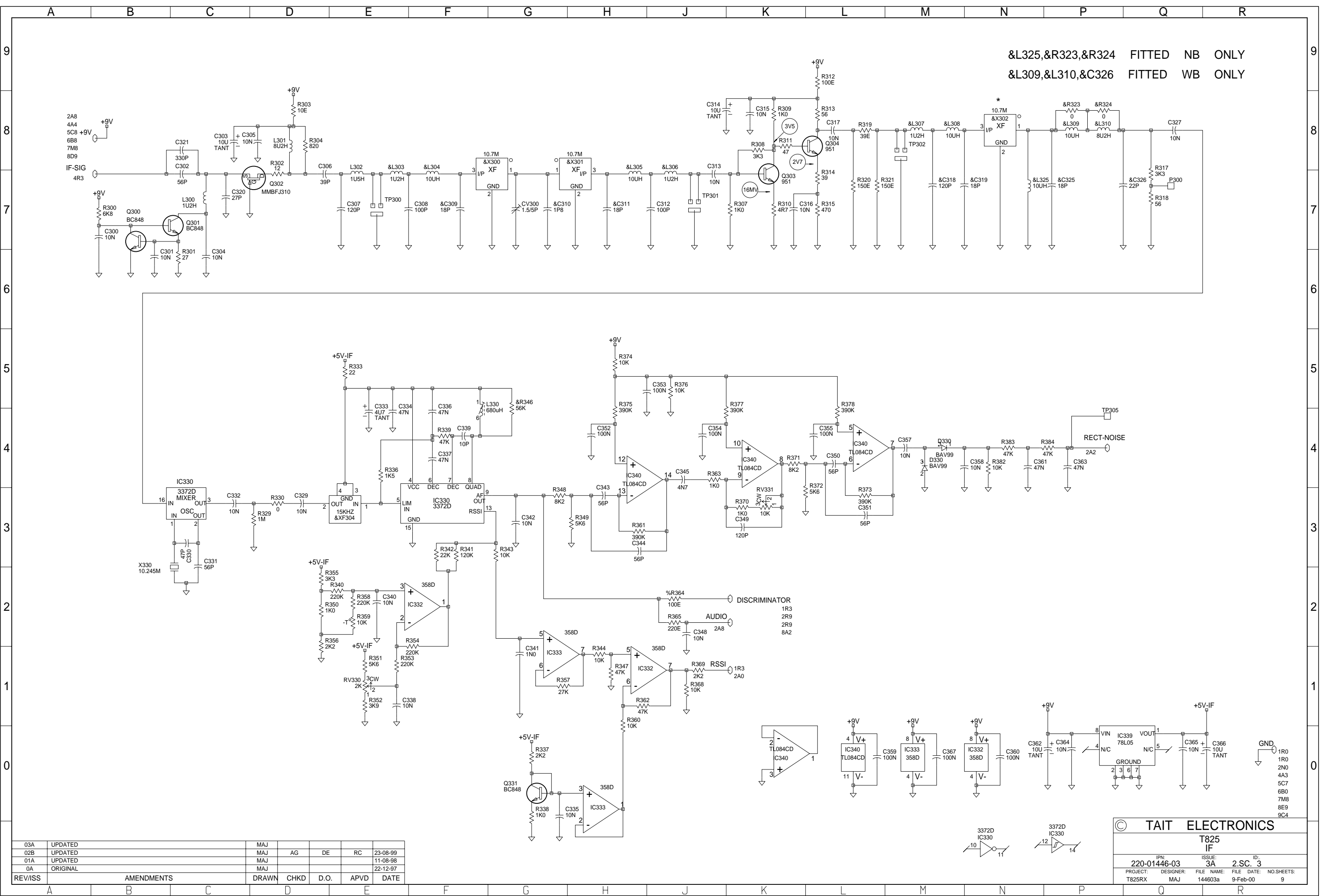
○ DC CONDITIONS (VOLTS)

03A	UPDATED	MAJ					
02B	UPDATED	MAJ	AG	DE	RC	23-08-99	
01A	UPDATED	MAJ				11-08-98	
0A	ORIGINAL	MAJ				22-12-97	
REV/ISS	AMENDMENTS	DRAWN	CHKD	D.O.	APVD	DATE	

© TAIT ELECTRONICS

T825
AUDIO PROCESSOR

IPN:	ISSUE:	ID:
220-01446-03	3A	2.SC. 2
PROJECT:	DESIGNER:	FILE NAME:
T825RX	MAJ	144603a
FILE DATE:	NO.SHEETS:	
9-Feb-00	9	



&L325,&R323,&R324 FITTED NB ONLY
 &L309,&L310,&C326 FITTED WB ONLY

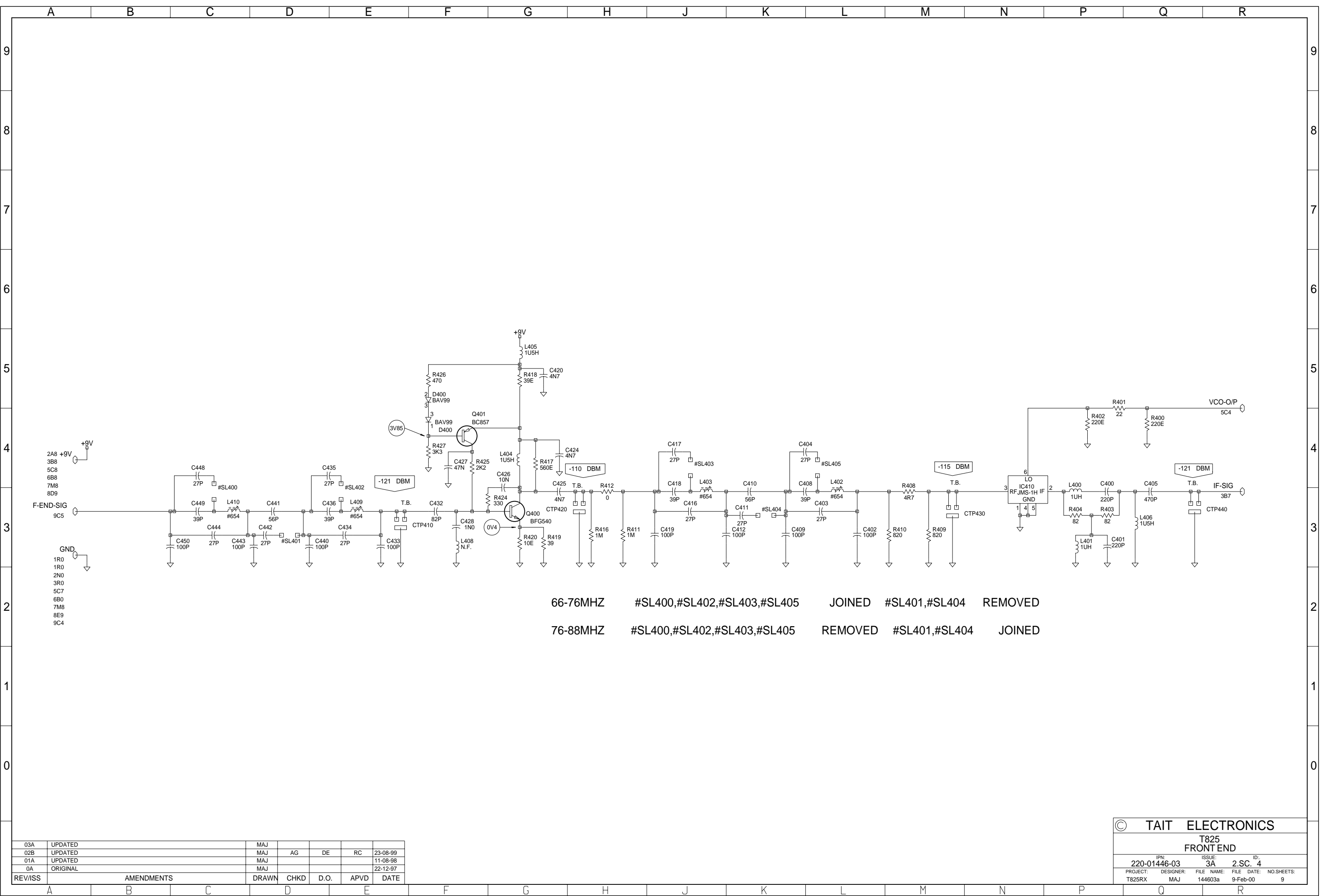
03A	UPDATED	MAJ					
02B	UPDATED	MAJ	AG	DE	RC	23-08-99	
01A	UPDATED	MAJ				11-08-98	
0A	ORIGINAL	MAJ				22-12-97	
REV/ISS	AMENDMENTS	DRAWN	CHKD	D.O.	APVD	DATE	

© TAIT ELECTRONICS
T825
 IF

IPN: 220-01446-03
 ISSUE: 3A
 ID: 2.S.C. 3

PROJECT: T825RX
 DESIGNER: MAJ
 FILE NAME: 144603a
 FILE DATE: 9-Feb-00
 NO.SHEETS: 9

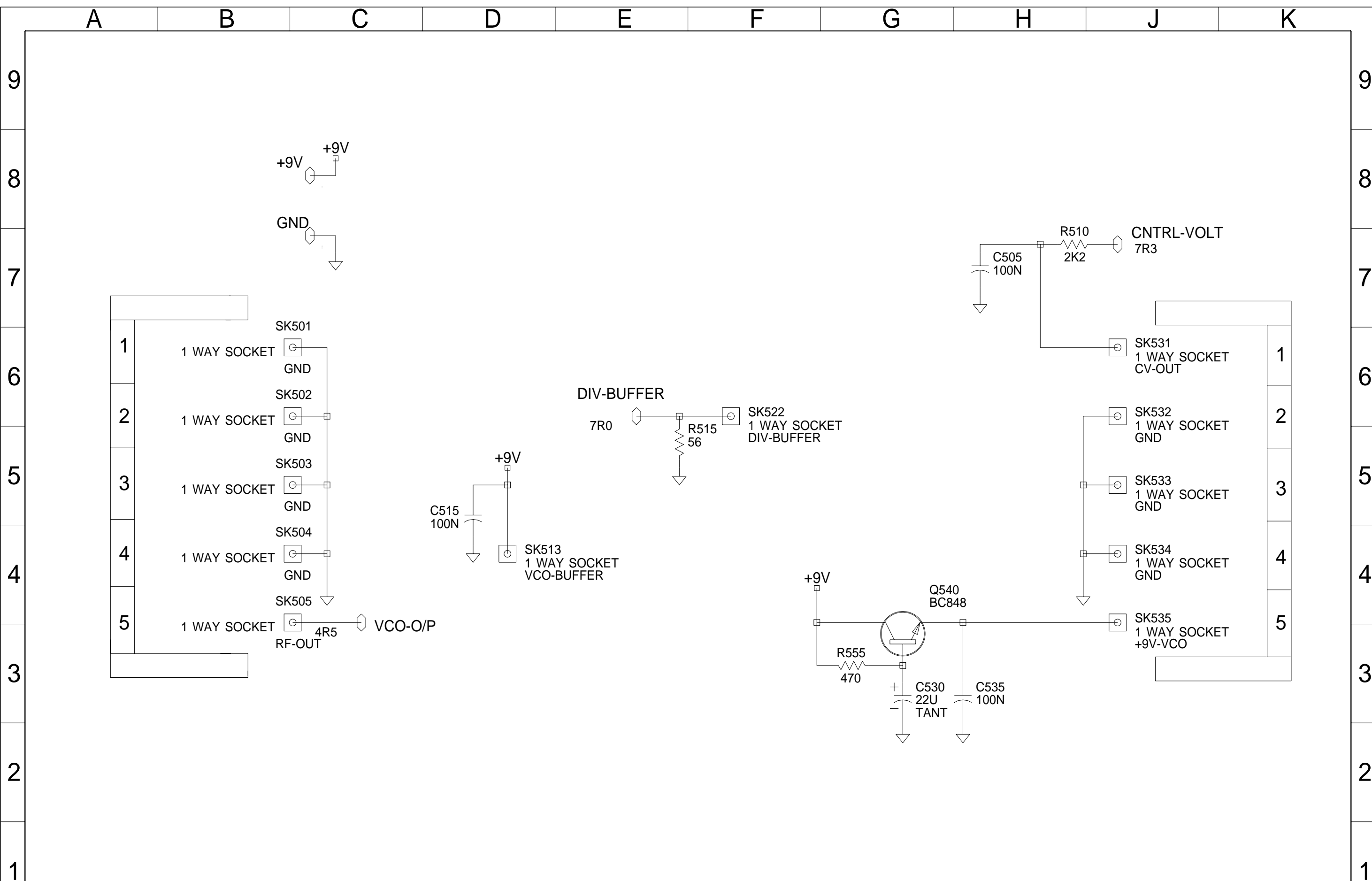
- 1R0
- 1R0
- 4A3
- 5C7
- 6B0
- 7M8
- 8E9
- 9C4



66-76MHZ #SL400,#SL402,#SL403,#SL405 JOINED #SL401,#SL404 REMOVED
 76-88MHZ #SL400,#SL402,#SL403,#SL405 REMOVED #SL401,#SL404 JOINED

03A	UPDATED	MAJ					
02B	UPDATED	MAJ	AG	DE	RC	23-08-99	
01A	UPDATED	MAJ				11-08-98	
0A	ORIGINAL	MAJ				22-12-97	
REV/ISS	AMENDMENTS	DRAWN	CHKD	D.O.	APVD	DATE	

© TAIT ELECTRONICS
 T825
 FRONT END
 IPN: 220-01446-03 ISSUE: 3A ID: 2.S.C. 4
 PROJECT: T825RX DESIGNER: MAJ FILE NAME: 144603a FILE DATE: 9-Feb-00 NO.SHEETS: 9



03A	UPDATED	MAJ					
02B	UPDATED	MAJ	AG	DE	RC		23-08-99
01A	UPDATED	MAJ					11-08-98
0A	ORIGINAL	MAJ					22-12-97
REV/ISS	AMENDMENTS		DRAWN	CHKD	D.O.	APVD	DATE

© TAIT ELECTRONICS

T825
VCO

IPN: 220-01446-03 ISSUE: 3A ID: 2.SC. 5

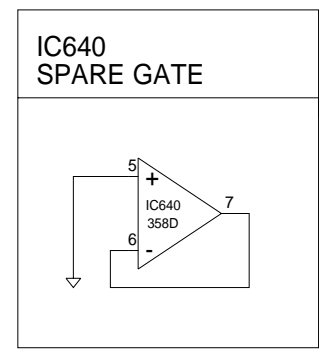
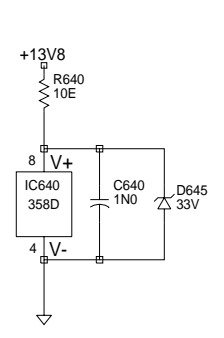
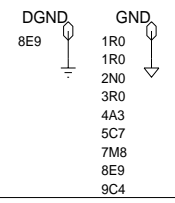
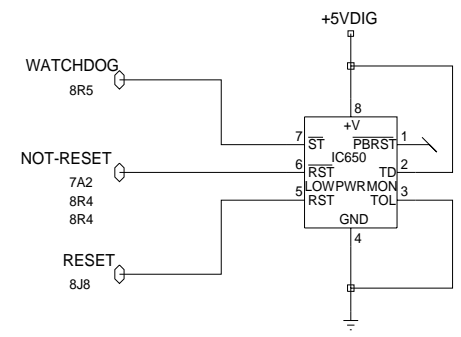
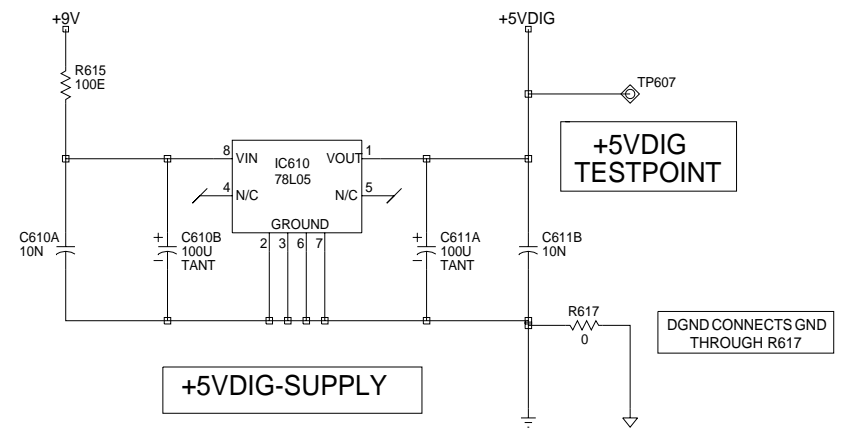
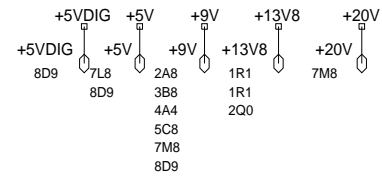
PROJECT: T825RX DESIGNER: MAJ FILE NAME: 144603a FILE DATE: 9-Feb-00 NO.SHEETS: 9

9
8
7
6
5
4
4
3
2
1
0

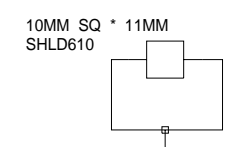
9
8
7
6
5
4
4
3
2
1
0

A B C D E F G H J K

A B C D E F G H J K

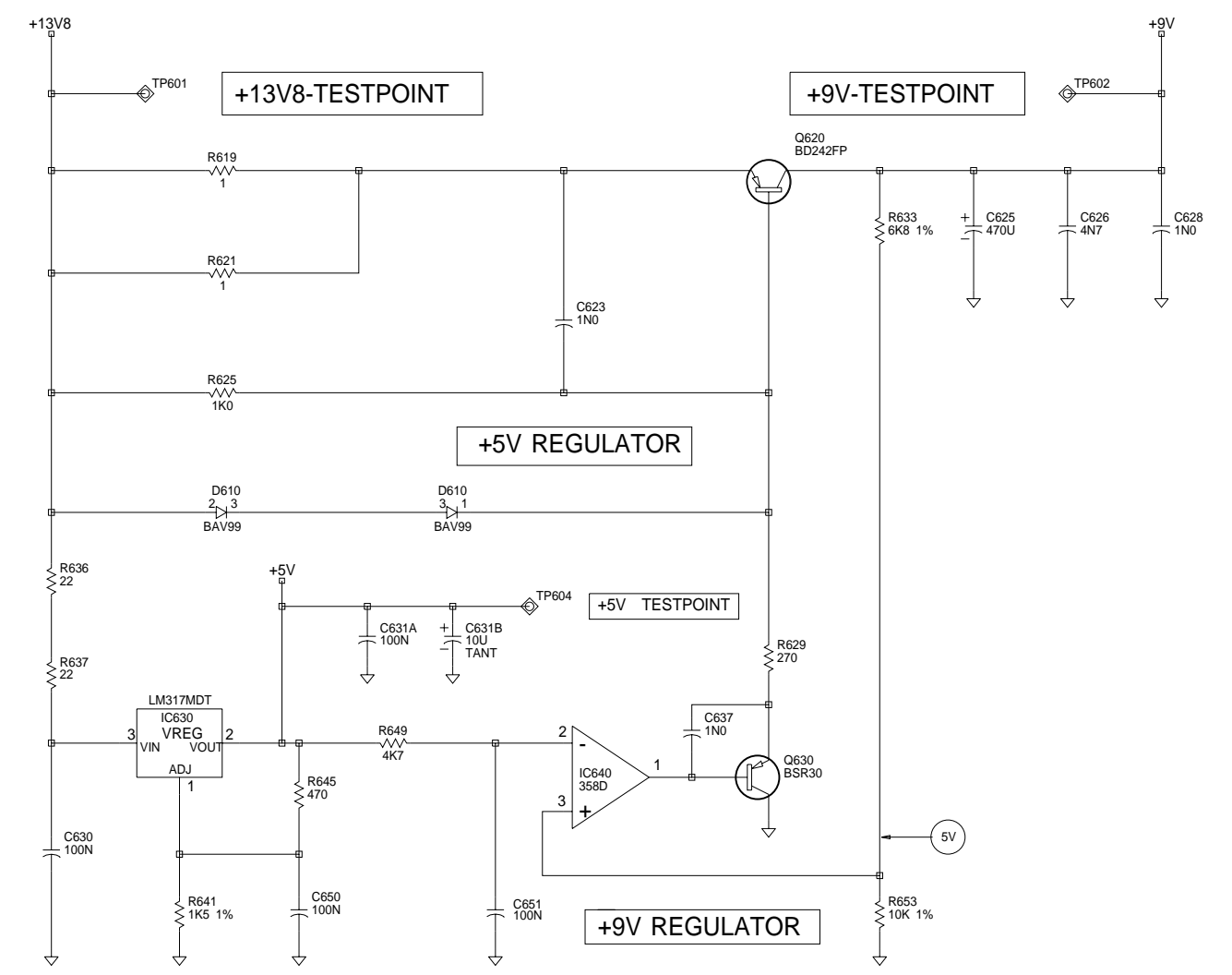
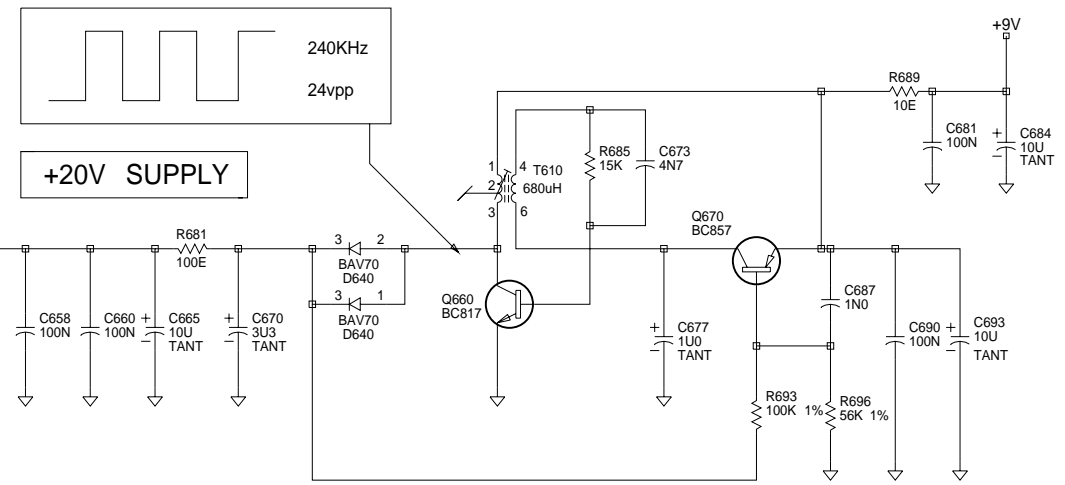


CAN TO SHIELD T610

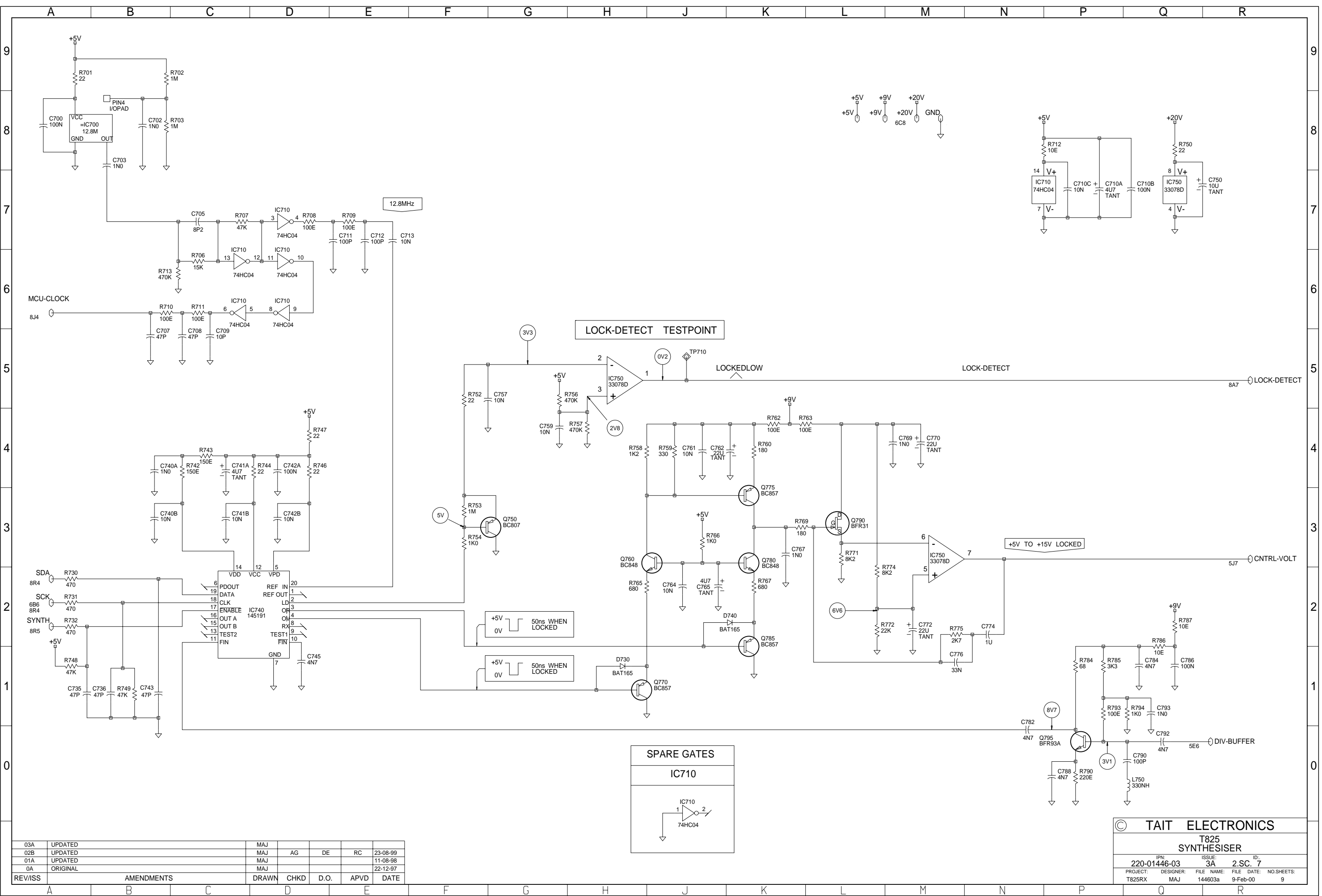


+20V TESTPOINT

+20V



03A	UPDATED	MAJ					
02B	UPDATED	MAJ	AG	DE	RC	23-08-99	
01A	UPDATED	MAJ				11-08-98	
0A	ORIGINAL	MAJ				22-12-97	
REV/ISS	AMENDMENTS	DRAWN	CHKD	D.O.	APVD	DATE	



03A	UPDATED	MAJ					
02B	UPDATED	MAJ	AG	DE	RC	23-08-99	
01A	UPDATED	MAJ				11-08-98	
0A	ORIGINAL	MAJ				22-12-97	
REV/ISS	AMENDMENTS	DRAWN	CHKD	D.O.	APVD	DATE	

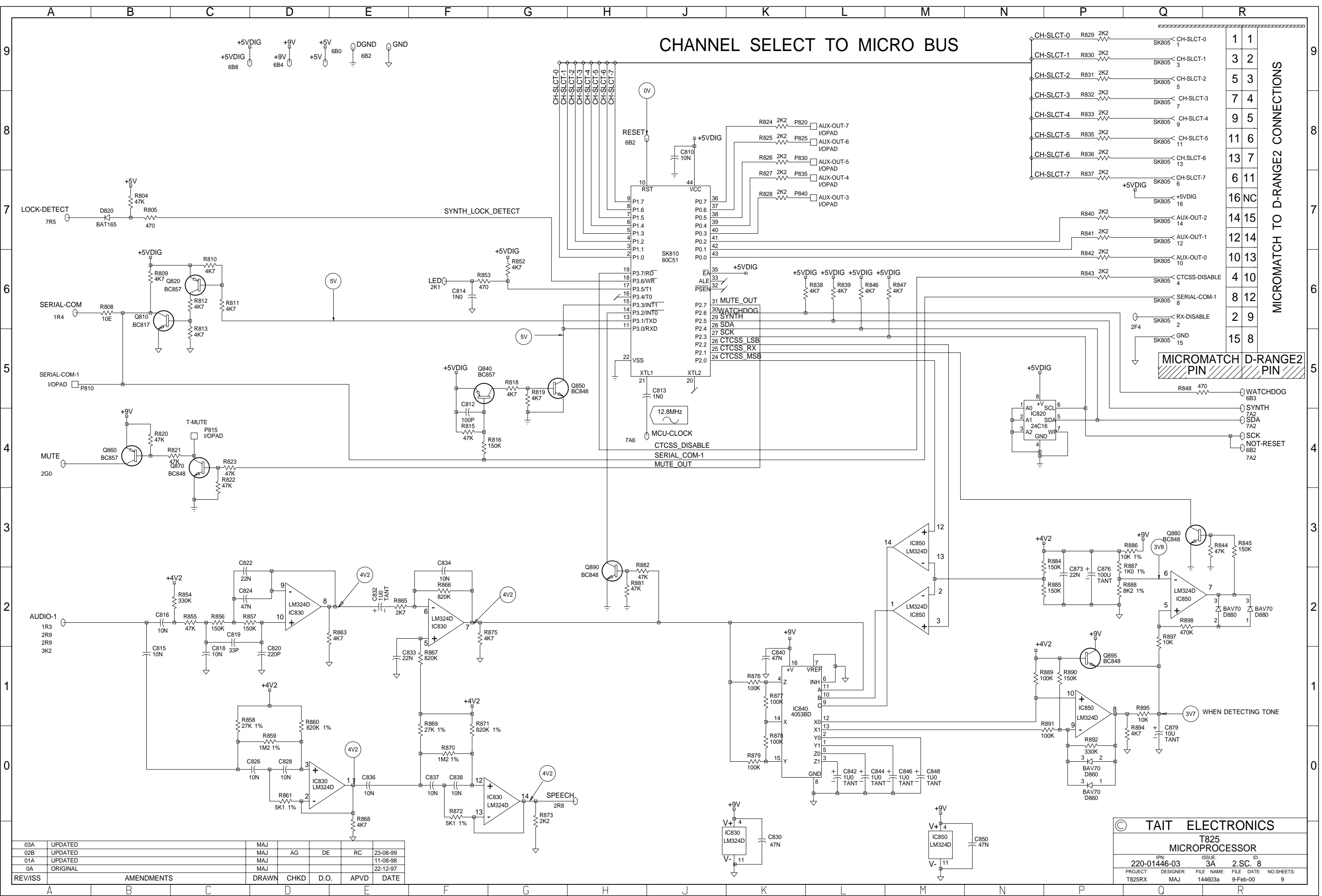
© TAIT ELECTRONICS

T825 SYNTHESISER

IPN: 220-01446-03 ISSUE: 3A ID: 2.S.C. 7

PROJECT: T825RX DESIGNER: MAJ FILE NAME: 144603a FILE DATE: 9-Feb-00 NO.SHEETS: 9

CHANNEL SELECT TO MICRO BUS



MICROMATCH TO D-RANGE2 CONNECTIONS

MICROMATCH PIN	D-RANGE2 PIN
1	1
2	9
3	2
4	10
5	3
6	11
7	4
8	12
9	5
10	13
11	6
12	14
13	7
14	15
15	8
16	NC

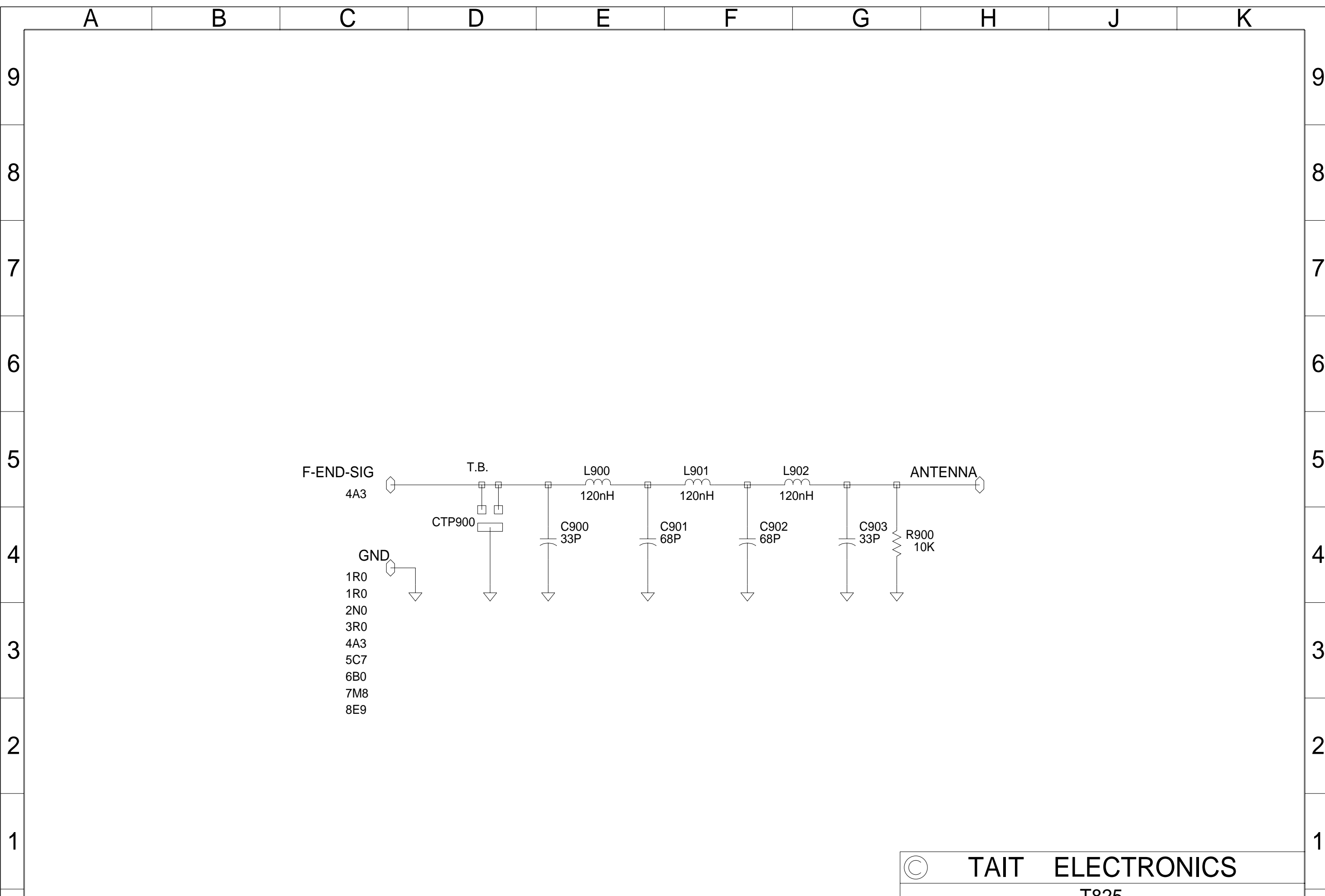
REV/ISS	AMENDMENTS	DRAWN	CHKD	D.O.	APVD	DATE
03A	UPDATED	MAJ				23-08-99
02B	UPDATED	MAJ	AG	DE	RC	11-08-98
01A	UPDATED	MAJ				22-12-97
0A	ORIGINAL	MAJ				

© TAIT ELECTRONICS

T825 MICROPROCESSOR

IPN: 220-01446-03 ISSUE: 3A ID: 2.S.C. 8

PROJECT: T825RX DESIGNER: MAJ FILE NAME: 144603a FILE DATE: 9-Feb-00 NO. SHEETS: 9



03A	UPDATED	MAJ				
02B	UPDATED	MAJ	AG	DE	RC	23-08-99
01A	UPDATED	MAJ				11-08-98
0A	ORIGINAL	MAJ				22-12-97
REV/ISS	AMENDMENTS	DRAWN	CHKD	D.O.	APVD	DATE

© TAIT ELECTRONICS

T825
HARMONIC FILTER

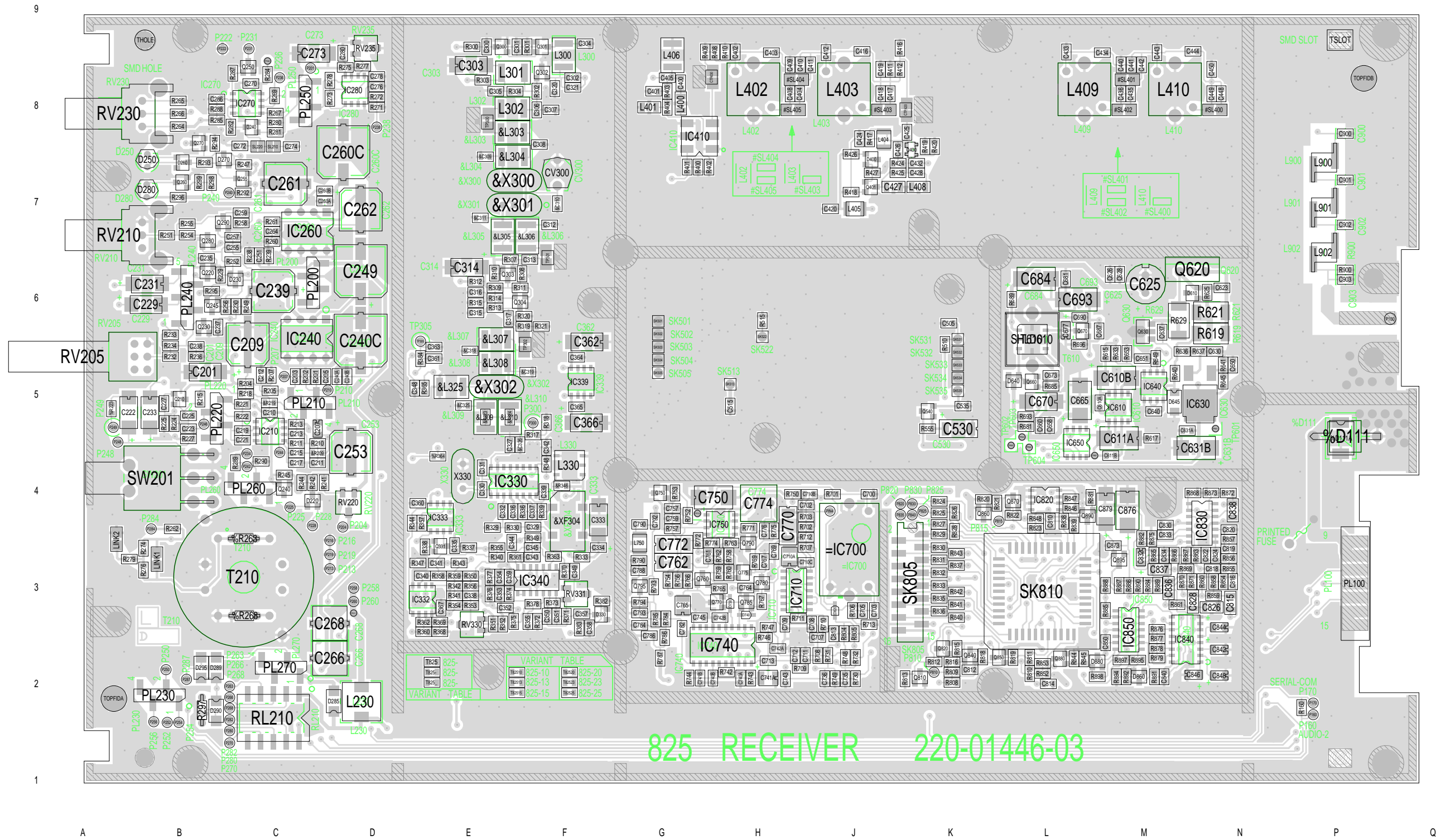
IPN: 220-01446-03 ISSUE: 3A ID: 2.SC. 9

PROJECT: T825RX DESIGNER: MAJ FILE NAME: 144603a FILE DATE: 9-Feb-00 NO.SHEETS: 9

0

0

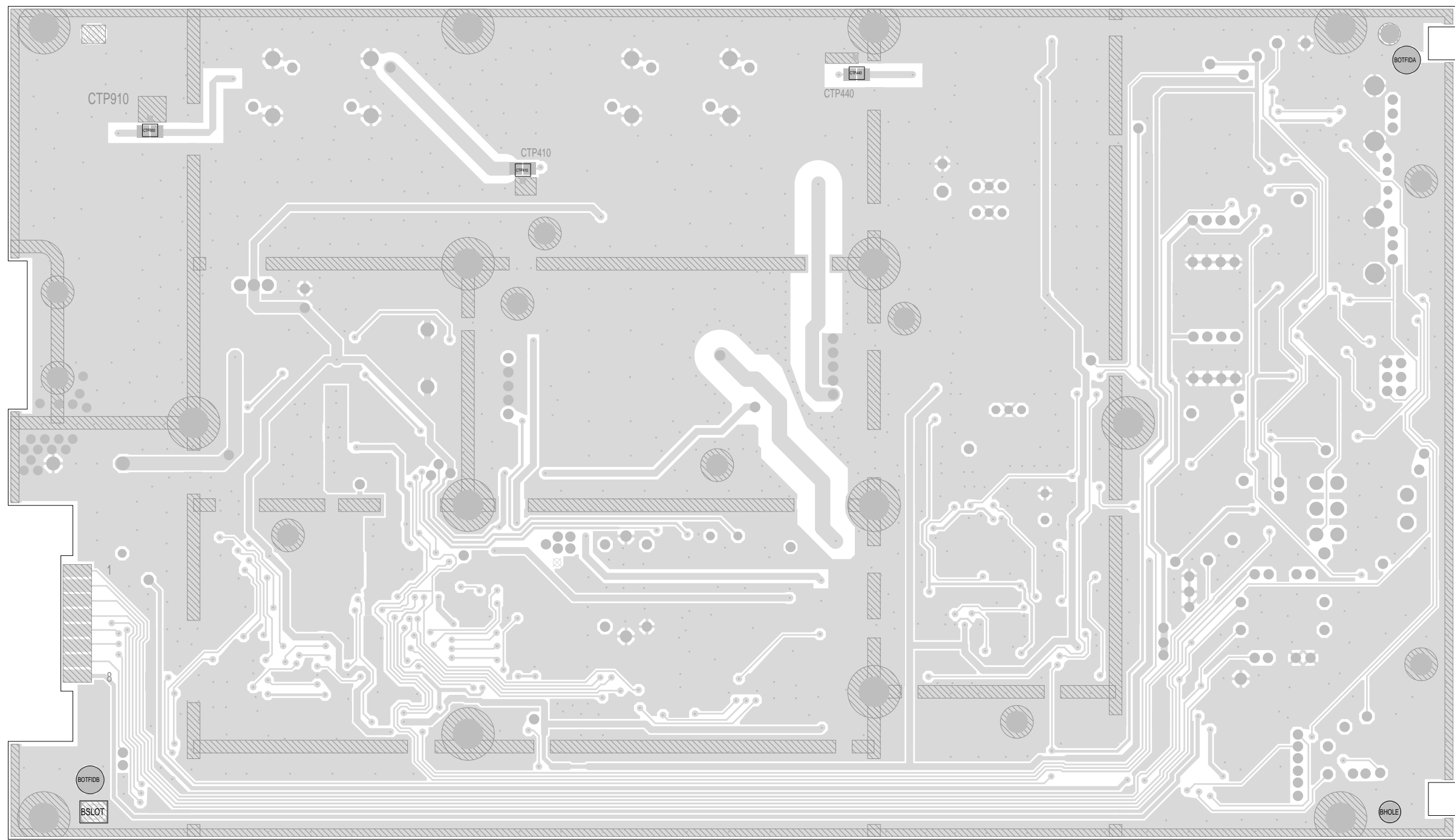
A B C D E F G H J K



825 RECEIVER 220-01446-03

TAIT ELECTRONICS IPN: 220-01446-03 ISS: -03 ID: 1.TA DATE: 10 Feb 2000
 825 RECEIVER PCB LAYOUT - TOP SIDE

Scale: 1:2.1 ; Rotation: 0 degrees



Q P N M L K J H G F E D C B A

9
8
7
6
5
4
3
2
1

TAIT ELECTRONICS	IPN: 220-01446-03	ISS: -03	ID: 2.BA	DATE: 10 Feb 2000
825 RECEIVER PCB LAYOUT - BOTTOM SIDE				

Scale: 1.2:1 ; Rotation: 0 degrees